

| Power Output Ratings | | 50 Hz / 400 V | |
|----------------------|-----|---------------|--|
| Standby Power (ESP) | kVA | 67 | |
| | kW | 53 | |
| Prime Power (PRP) | kVA | 61 | |
| | kW | 48 | |

| Standby Power (ESP) | | | |
|--------------------------------|--------|------------------|------|
| Manufacturer | | PERKINS | |
| Origin | | U.K. | |
| Model | | 1103A-33TG2 | |
| No of Cylinder / Configuration | | 3 - INLINE | |
| Displacement | lt | 3,3 | |
| Bore / Stroke | mm | 105 / 127 | |
| Compression Ratio | | 17,25:1 | |
| Aspiration | | Turbocharged | |
| Governor Type | | MECHANIC | |
| Cooling System | | WATER | |
| Coolant Capacity | lt | 10,2 | |
| Lubrication Oil Capacity | lt | 7,9 | |
| Electrical System | VDC | 12 | |
| Speed / Frequency | | 1500 rpm / 50 Hz | |
| Engine Gross Power | kWm | 60,5 | |
| Fuel Consumption | lt/h | 110 % | 15,6 |
| | | 100 % | 14,1 |
| | | 75 % | 10,5 |
| | | 50 % | 7,3 |
| Exhaust Outlet Temperature | °C | 543 | |
| Exhaust Gas Flow | m³/min | 9,8 | |
| Combustion Air Flow | m³/min | 3,8 | |
| Cooling Air Flow | m³/min | 110,4 | |

| Alternator | | |
|------------------------------------|-----|--|
| Manufacturer | | MARELLI |
| Origin | | ITALY |
| Model | | MJB200MA4 |
| No of Phase | | 3 |
| Power Factor | | 0,8 |
| No of Bearing | | SINGLE |
| No of Poles | | 4 |
| No of Leads | | 12 |
| Voltage Regulation (Steady State) | | ± %0,5 |
| Insulation Class | | H |
| Degree of Protection | | IP 23 |
| Excitation System | | AVR (Automatic Voltage Regulator), Brushless |
| Connection Type | | STAR |
| Total Harmonic Content (No Load) | | < %2 |
| Frequency | Hz | 50 |
| Voltage Output | VAC | 230 / 400 |
| Rated Power (Standby) | kVA | 68 |
| Efficiency | % | 90,1 |

| | W x L x H (mm) | Weight (kg) | Fuel Tank (lt) | Noise dB(A) |
|-----------|-------------------|-------------|----------------|-------------|
| Canopied | 987 x 2615 x 1570 | 1200 | 114 | TBA |
| Open Skid | 750 x 2000 x 1270 | 900 | 114 | TBA |

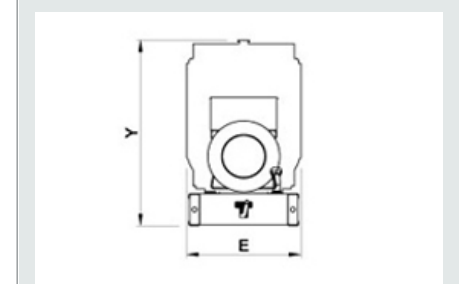
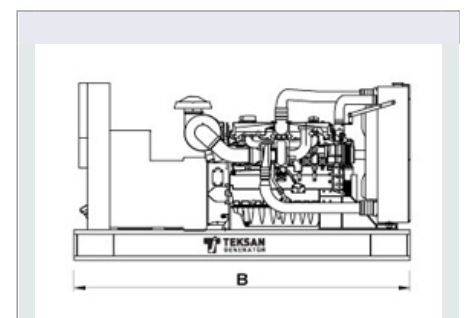


Standby Power

Standby power is defined as the maximum power available during a variable electrical power sequence, under the stated operating conditions, for which a generating set is capable of delivering in the event of a utility power outage or under test conditions for up to 500 hours of operation per year under average of 70% load. Overloading is not permissible.

Prime Power

Prime power is defined as being the maximum power which a generating set is capable of delivering continuously whilst supplying a variable electrical load. Average load should be 70%. The generator can be overloaded 10% for 1 hour per 12 hours.



- Technical information and values are according to ISO8528, ISO3046, NEMA MG-1.22, IEC 60034-1, BS 4999-5000, VDE 0530 standards.
- Producing with ISO9001, ISO14001, OHSAS18001, TSE, CE standards.
- All information given in this leaflet is intended for general purposes only. Due to a policy continuous improvement Teksan reserves the right to amend details and specifications without notice and all information given is subject to the Teksan's current condition of sales.

TBA: To Be Ask

TBD: To Be Determined

NA: Not Available

N/A: Not Applicable

TTD67PE5A0510-EN

www.teksangenerator.com

