

Power Output Ratings		50 Hz / 400 V	
Standby Power (ESP)	kVA	33	
	kW	26	
Prime Power (PRP)	kVA	30	
	kW	24	

Standby Power (ESP)			
Manufacturer		PERKINS	
Origin		U.K.	
Model		1103A-33G	
No of Cylinder / Configuration		3 - INLINE	
Displacement	lt	3,3	
Bore / Stroke	mm	105 / 127	
Compression Ratio		19,25:1	
Aspiration		Naturally Aspirated	
Governor Type		MECHANIC	
Cooling System		WATER	
Coolant Capacity	lt	10,2	
Lubrication Oil Capacity	lt	7,9	
Electrical System	VDC	12	
Speed / Frequency		1500 rpm / 50 Hz	
Engine Gross Power	kWm	31	
Fuel Consumption	lt/h	110 %	7,9
		100 %	7,1
		75 %	5,4
		50 %	3,9
Exhaust Outlet Temperature	°C	520	
Exhaust Gas Flow	m³/min	5,8	
Combustion Air Flow	m³/min	2,15	
Cooling Air Flow	m³/min	53	

Alternator		
Manufacturer		MARELLI
Origin		MALAYSIA
Model		MJL160MB4
No of Phase		3
Power Factor		0,8
No of Bearing		SINGLE
No of Poles		4
No of Leads		12
Voltage Regulation (Steady State)		± %1
Insulation Class		H
Degree of Protection		IP 23
Excitation System		AVR (Automatic Voltage Regulator), Brushless
Connection Type		STAR
Total Harmonic Content (No Load)		< %2
Frequency	Hz	50
Voltage Output	VAC	230 / 400
Rated Power (Standby)	kVA	34,8
Efficiency	%	87

	W x L x H (mm)	Weight (kg)	Fuel Tank (lt)	Noise dB(A)
Canopied	987 x 2265 x 1570	1073	90	TBA
Open Skid	750 x 1600 x 1170	717	90	TBA

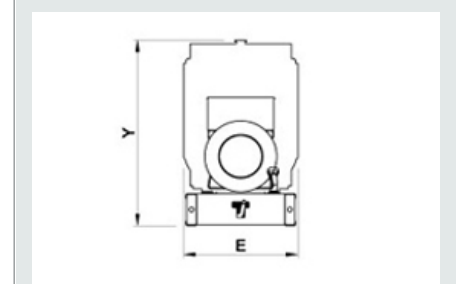
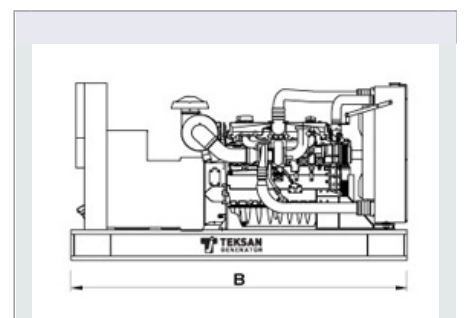


Standby Power

Standby power is defined as the maximum power available during a variable electrical power sequence, under the stated operating conditions, for which a generating set is capable of delivering in the event of a utility power outage or under test conditions for up to 500 hours of operation per year under average of 70% load. Overloading is not permissible.

Prime Power

Prime power is defined as being the maximum power which a generating set is capable of delivering continuously whilst supplying a variable electrical load. Average load should be 70%. The generator can be overloaded 10% for 1 hour per 12 hours.



- Technical information and values are according to ISO8528, ISO3046, NEMA MG-1.22, IEC 60034-1, BS 4999-5000, VDE 0530 standards.
- Producing with ISO9001, ISO14001, OHSAS18001, TSE, CE standards.
- All information given in this leaflet is intended for general purposes only. Due to a policy continuous improvement Teksan reserves the right to amend details and specifications without notice and all information given is subject to the Teksan's current condition of sales.

TBA: To Be Ask

TBD: To Be Determined

NA: Not Available

N/A: Not Applicable

TTD33PE5K0811-EN

www.teksangenerator.com

