

AK 1500-E - KOHLER CH 730/ GASOLINE 3000 rpm | 50 Hz

TRIPHASE  
400/230 V

## TECHNICALS SPECIFICATIONS



Model:

# AK 1500

Gen set composed of engine and alternator perfectly assembled and fitted in a practical tubular chasis, that is adding great strenght and versatility.

STANDBY POWER:  
(LTP "Limited Time Power" norma ISO 8528-1)

**15 kVA**

Image for guidance purposes.

### Genset general characteristics

Standby power LTP (kVA)	15
Frequency (Hz)	50
R.p.m.	3000
Voltage (V)	400 / 230
(Cos ø)	0.8

## ENGINE CHARACTERISTICS

MAKE	MODEL
<b>KOHLER</b>	<b>CH 730</b>
Mechanical effect power (kWm)	14,5
No. cylinders	2
Diameter x stroke (mm)	83x67
Compression ratio	9:1
Cooling system	Air
Series regulator	Mechanical
Start	Electric battery
Fuel	Gasoline
Fuel tank capacity (L)	15
Fuel consumption 100% (L/h)	5
Oil tank capacity (L)	1,9

AK 1500-E - KOHLER CH 730/ GASOLINE 3000 rpm | 50 Hz

TRIPHASE  
400/230 V

## ALTERNATOR CHARACTERISTICS

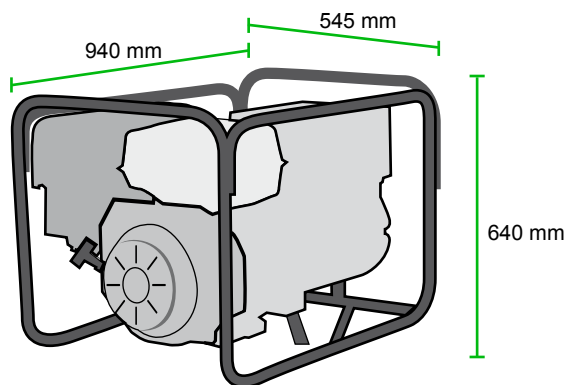
Voltage (V)	400 / 230
Frequency (Hz)	50
R.p.m.	3000
No. poles	2
Protection degree IP	21
Insulation	H

## SOCKETS DESCRIPTION:

Triphase version: 1 TRIPHASE CEE SOCKET, 2 MONOPHASE SCHUKO SOCKETS 16A and termic protections.

## DIMENSIONS AND WEIGHT

Lenght (mm)	940
Width (mm)	545
Height (mm)	640
Weight (kg)	152



## OPTIONAL

TRANSPORT KIT